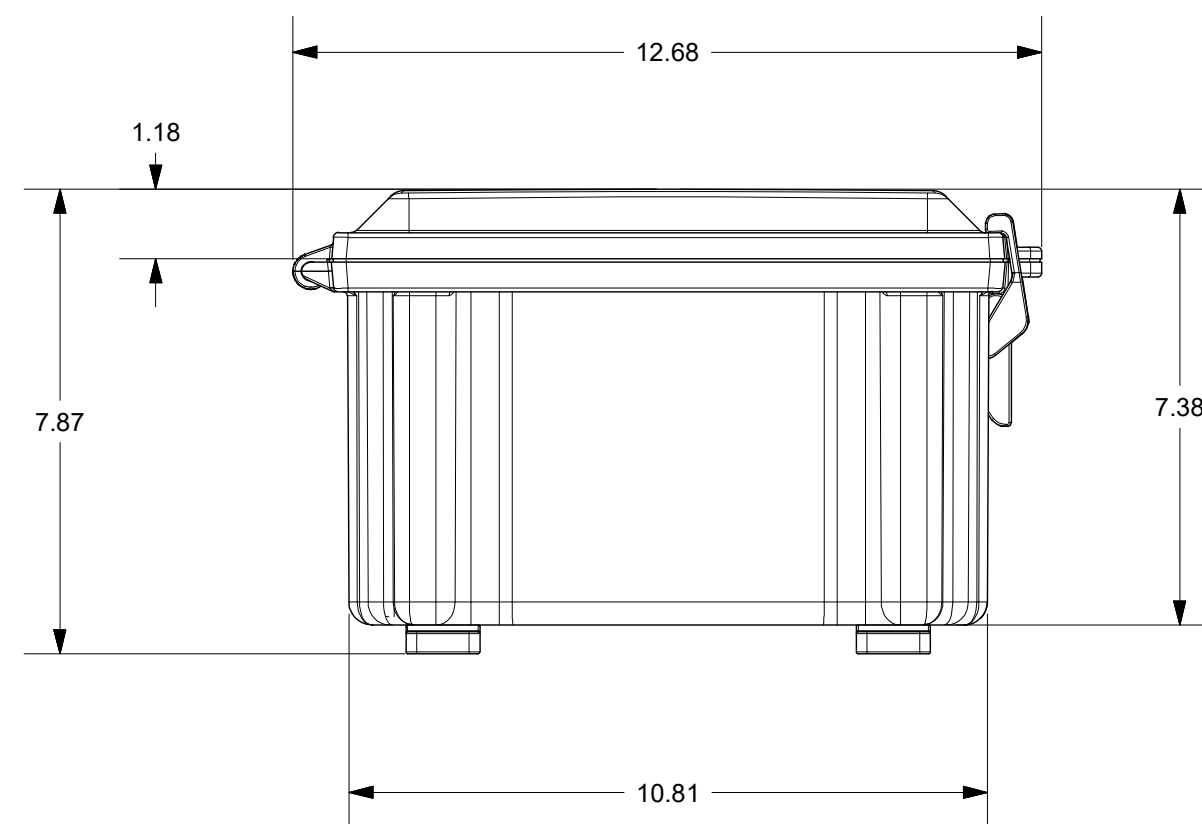
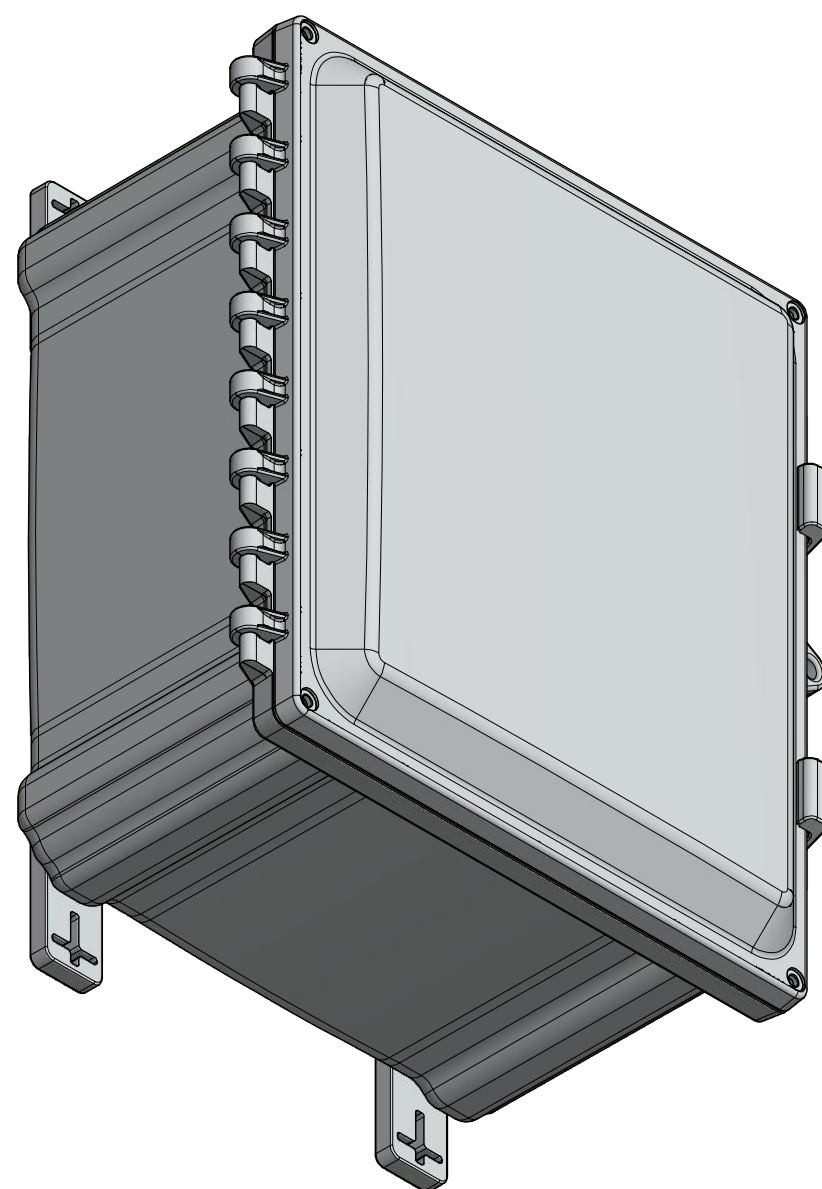
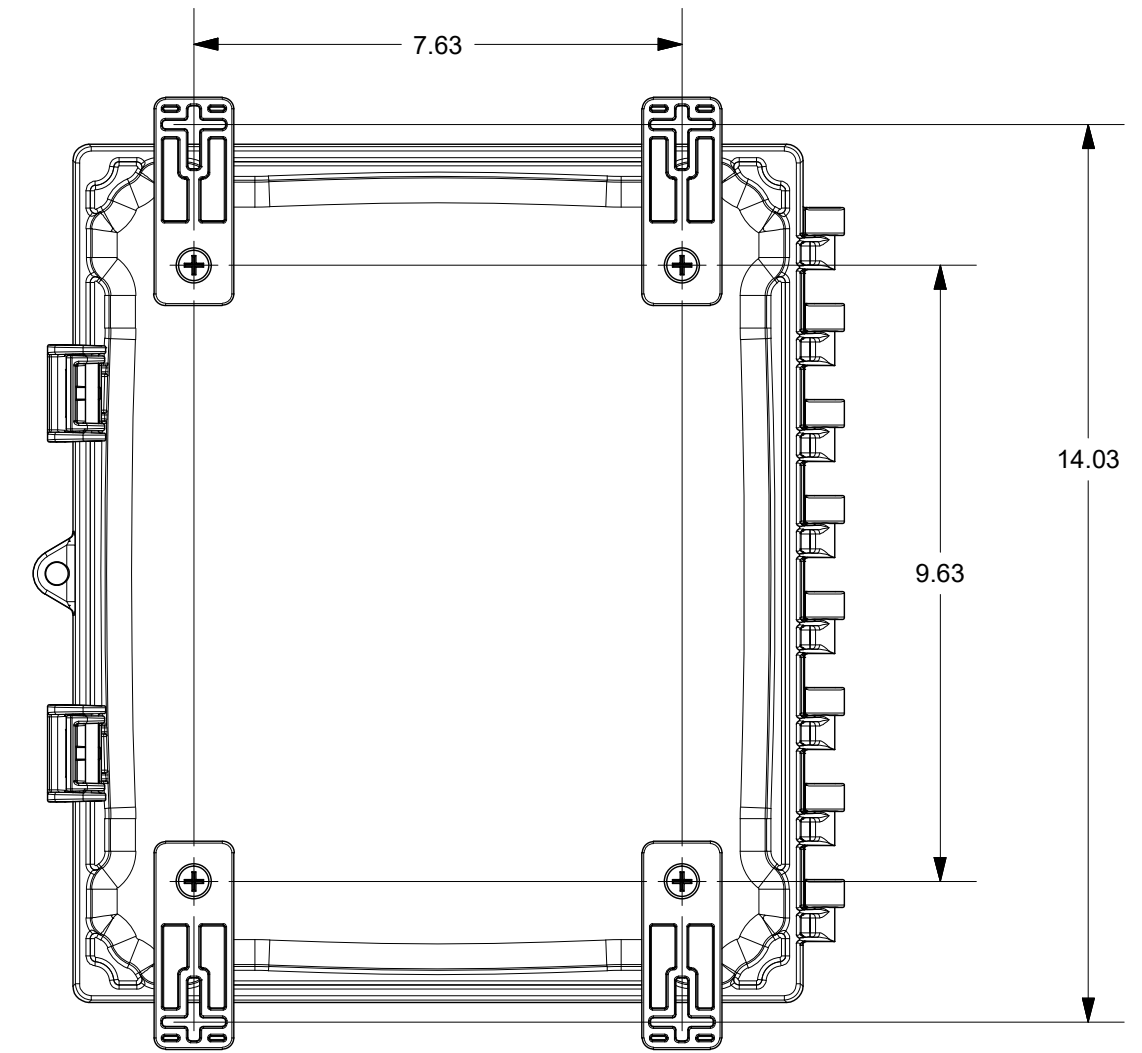
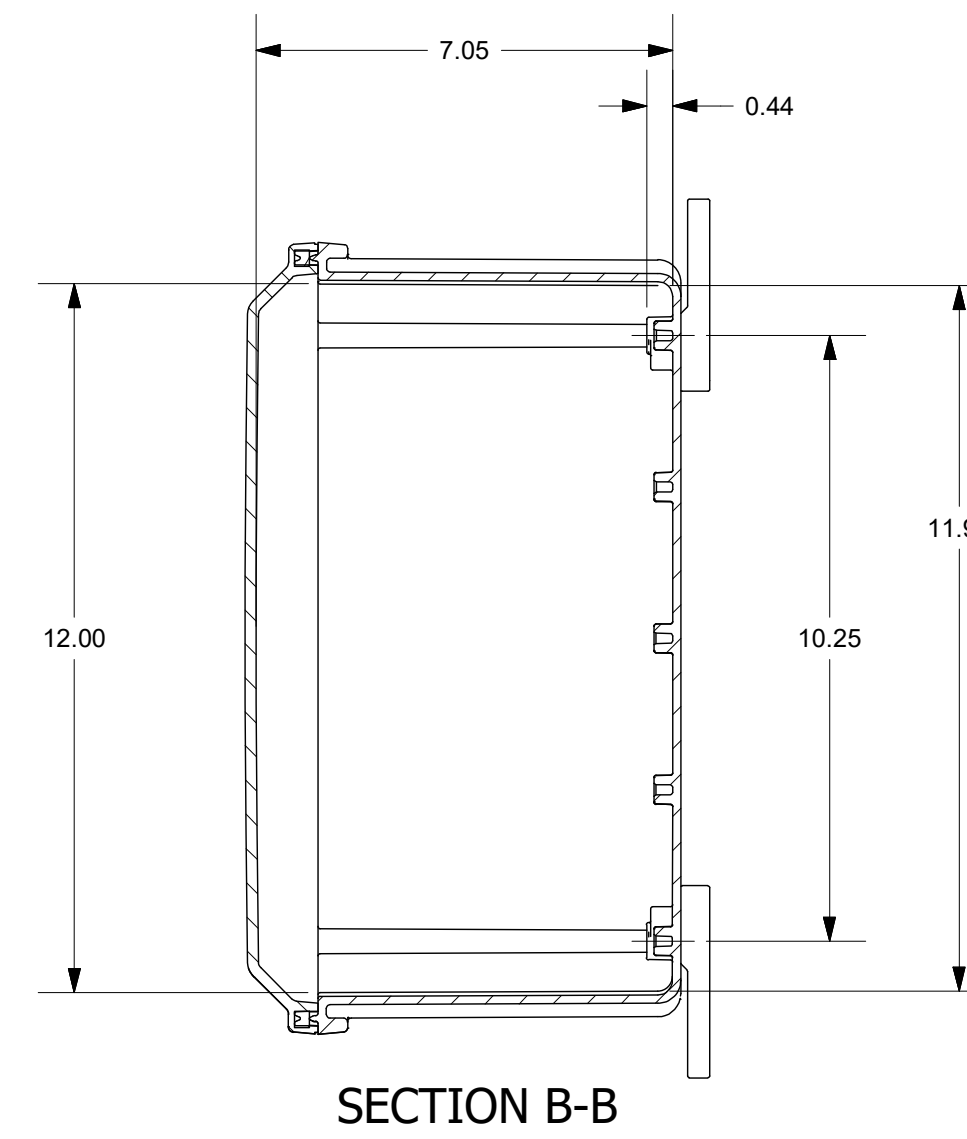
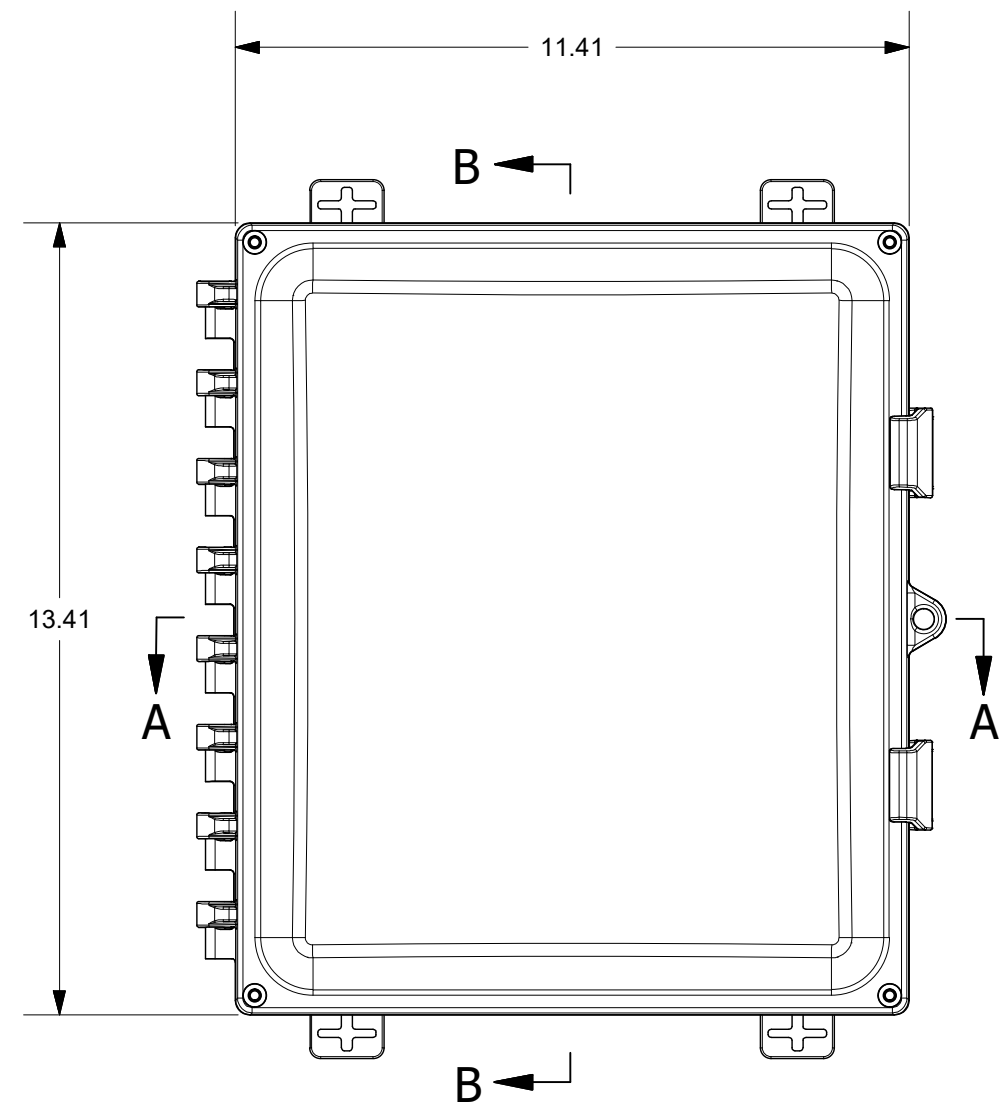
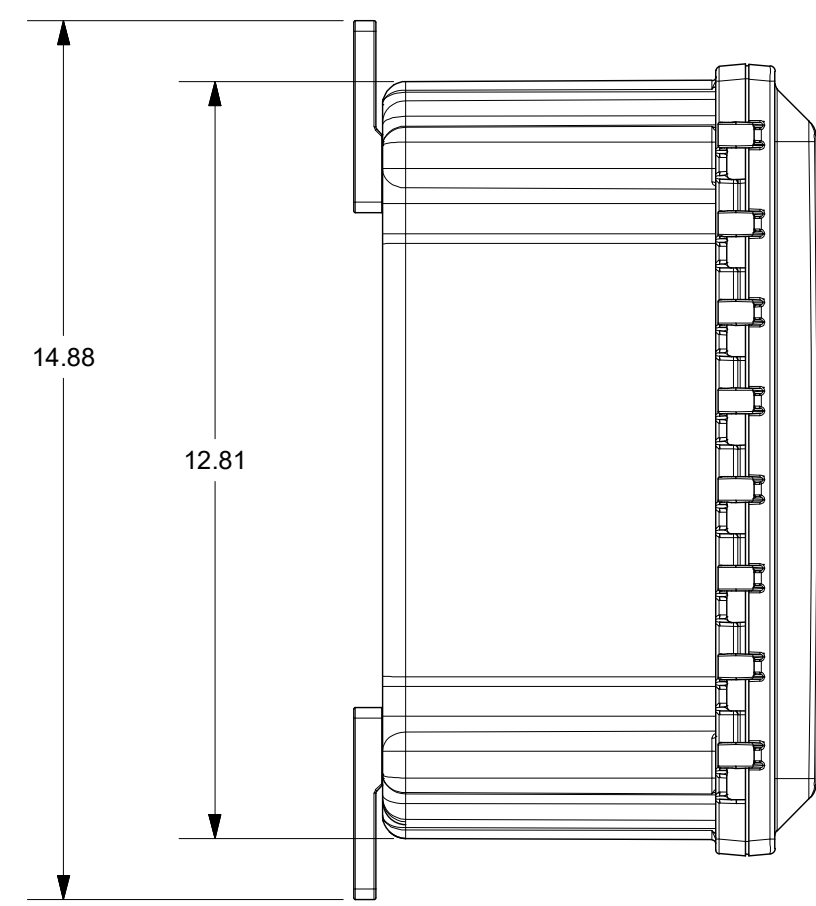


FOR REFERENCE ONLY
MOUNTING FEET SHOWN AS INSTALLED



THIS DRAWING IS THE SOLE AND EXCLUSIVE PROPERTY OF ROBROY ENCLOSURES. NO PART OF THIS DRAWING MAY BE REPRODUCED, DISTRIBUTED, OR PUBLICALLY DISPLAYED IN ANY FORM OR BY ANY MEANS WITHOUT THE EXPRESS WRITTEN PERMISSION OF ROBROY ENCLOSURES. ALL RIGHTS RESERVED. UNDER THE COPYRIGHT LAWS. COPYRIGHT © 2016 ROBROY ENCLOSURES

SPECIAL REQUIREMENTS

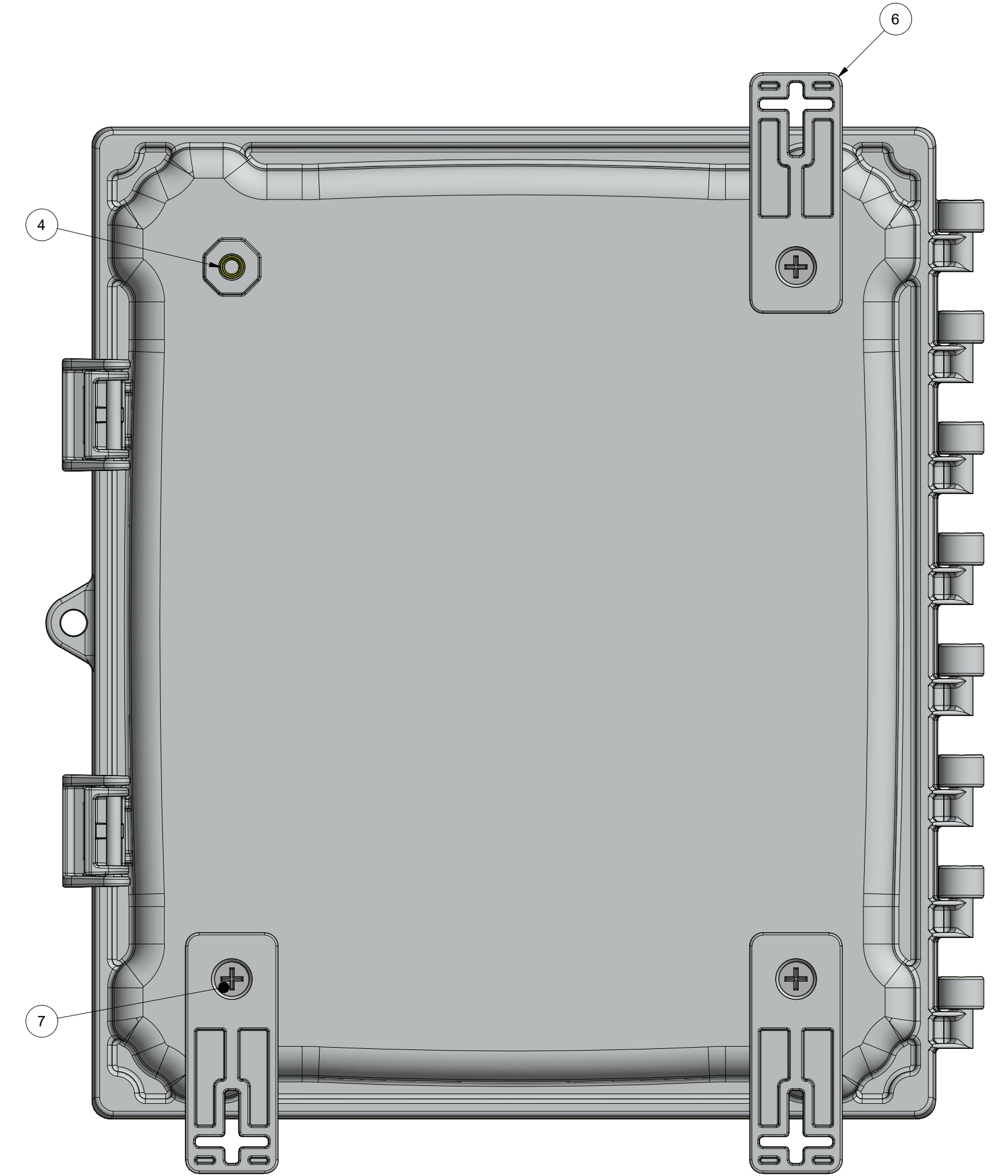
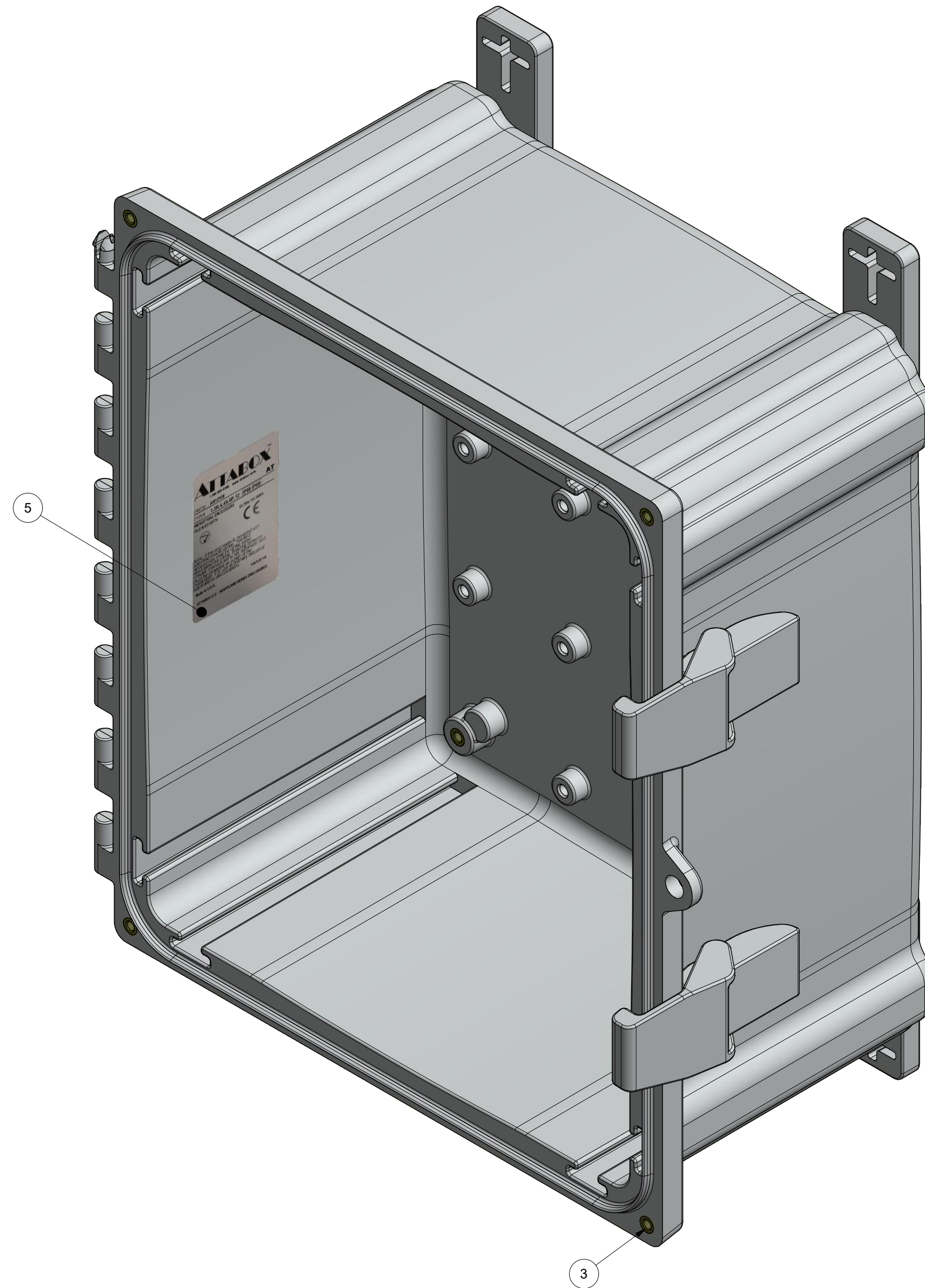
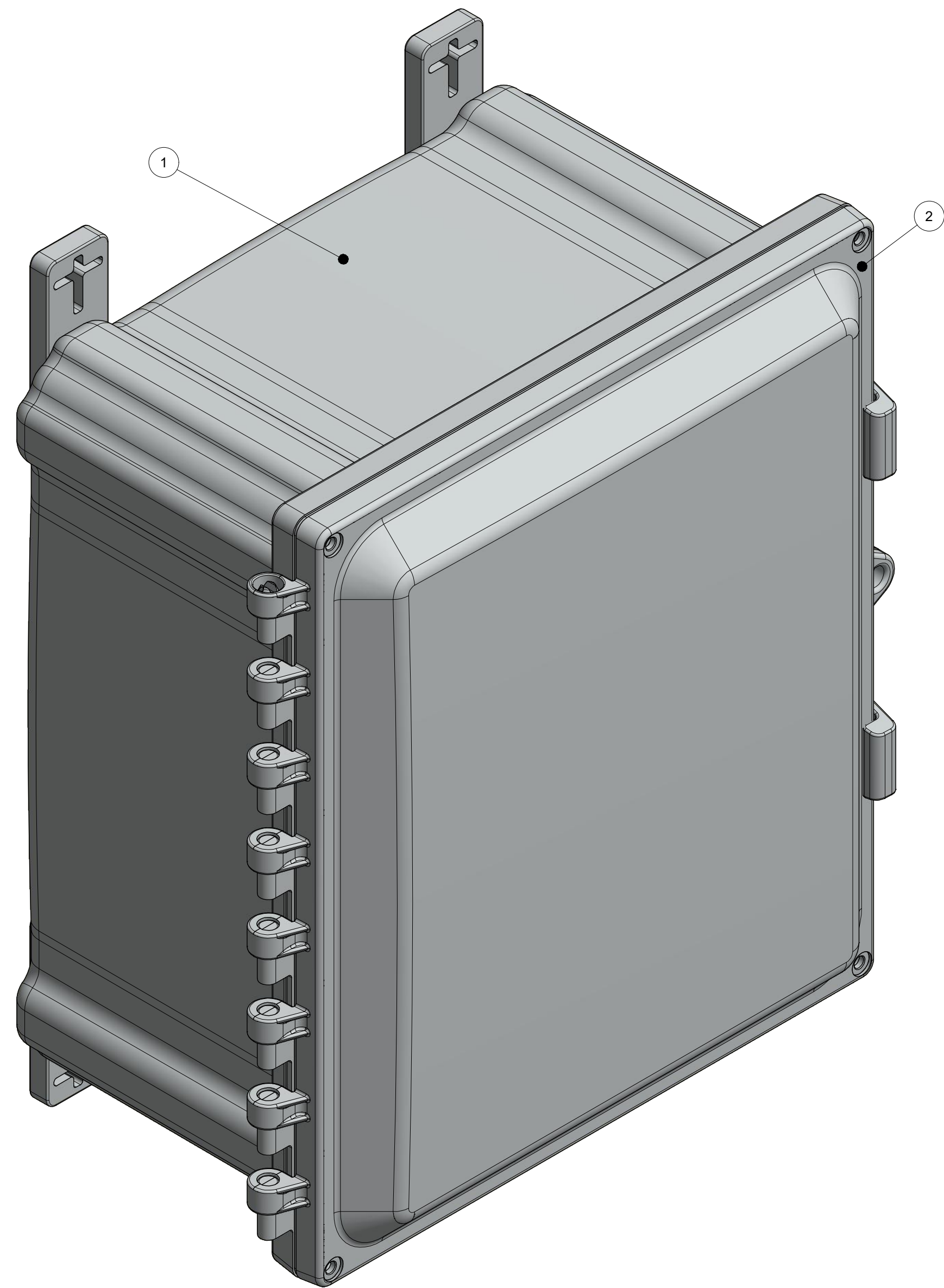
ASSEMBLY:

- (1) ACCESSORY KIT (ATAHAK) SHALL BE PACKAGED LOOSELY INSIDE ENCLOSURE
- (1) STYROFOAM SHEET SHALL BE PLACED ON TOP OF COVER INSIDE CARTON

HARDWARE INCLUDED:

- (4) #14-20 x 1/2 FLAT HEAD PHILLIPS MACHINE SCREW (RMSC114-20X .5FLPH)
- (4) #10-32 x 5/8 PAN HEAD PHILLIPS MACHINE SCREW (RMSC10/32X5/8SS)
- (4) #10-32 x 3/8 PAN HEAD SCREW (RMSC10/32X3/8ZN)
- (4) #10 WASHER (RMWAS10ZN)

NEMA 250: TYPE 1, 3R, 4, 4X, 6P, 12 IEC 60529: IP66, IP68		STANDARD P/N: AH12106	ALL DIMENSIONS ARE IN INCHES UNLESS OTHERWISE SPECIFIED		TOLERANCES UNLESS SPECIFIED	.XX ± 0.03	.XXX ± 0.010
COLOR: N/A COLOR STANDARD: PANTONE 7541 C		CUSTOMER DWG:	<p>Robroy Enclosures 500 Maple Street Belding, Michigan 48809 Phone: 616-794-0700 Fax: 616-749-3378</p>				
MATERIAL: POLYCARBONATE							
REVISION HISTORY		DATE	ENG				
REV	DESCRIPTION						
-	-	-	-				
-	-	-	-				
-	-	-	-				
-	-	-	-				
-	-	-	-				
-	-	-	-				
DRAWN BY: AJC		DATE: 10/26/16	CUSTOMER:		DWG:		AH12106
SCALE: DO NOT SCALE		DESCRIPTION: STANDARD ENCLOSURE		PART NUMBER:		ATAH12106	



BACK SIDE
 (1) MOUNTING FOOT REMOVED FOR CLARITY
 TORQUE SCREWS TO 10-14 IN.-LBS.

PARTS LIST			
ITEM	QTY	PART NUMBER	DESCRIPTION
1	1	WPPC12106BOX	AH12106 MOLDED BOX
2	1	WPPC12106U	AH12106 GASKETED COVER
3	8	RMAHINS10-32UNF	#10-32 UNF COVER & BACK PANEL BRASS INSERT
4	4	RMAHINS1/4-20UNC	1/4-20 UNC MOUNTING FOOT BRASS INSERT
5	1	RMLABLANK3X2	AH12106 LABEL
6	4	RMAHFOOT-001	MOUNTING FOOT (INCLUDED WITH ATAHAK)
7	4	RMSC1/4-20X.5FLPH	1/4-20 x 1/2 FLAT HEAD PHILLIPS MACHINE SCREW
8	1	ATAHAK	ACCESSORY KIT (INCLUDES MOUNTING FEET)

THIS DRAWING IS THE SOLE AND EXCLUSIVE PROPERTY OF ROBROY ENCLOSURES. NO PART OF THIS DRAWING MAY BE REPRODUCED, DISTRIBUTED, OR PUBLICALLY DISPLAYED IN ANY FORM OR BY ANY MEANS WITHOUT THE EXPRESS WRITTEN PERMISSION OF ROBROY ENCLOSURES. ALL RIGHTS RESERVED. UNDER THE COPYRIGHT LAWS. COPYRIGHT © 2016 ROBROY ENCLOSURES.

SPECIAL REQUIREMENTS
ASSEMBLY:
 1 (1) ACCESSORY KIT (ATAHAK) SHALL BE PACKAGED LOOSELY INSIDE ENCLOSURE
 2 (1) STYROFOAM SHEET SHALL BE PLACED ON TOP OF COVER INSIDE CARTON
HARDWARE INCLUDED:
 - (4) #1/4-20 x 1/2 FLAT HEAD PHILLIPS MACHINE SCREW (RMSC1/4-20X.5FLPH)
 - (4) #10-32 x 5/8 PAN HEAD PHILLIPS MACHINE SCREW (RMSC10/32X5/8SS)
 - (4) #10-32 x 3/8 PAN HEAD SCREW (RMSC10/32X3/8ZN)
 - (4) #10 WASHER (RMWAS10ZN)

NEMA 250: TYPE 1, 3R, 4, 4X, 6P, 12
 IEC 60529: IP66, IP68
 COLOR: N/A
 COLOR STANDARD: PANTONE 7541 C

STANDARD P/N: AH12106
 CUSTOMER DWG:

ALL DIMENSIONS ARE IN INCHES UNLESS OTHERWISE SPECIFIED
 TOLERANCES UNLESS SPECIFIED .XX ± 0.03 .XXX ± 0.010

MATERIAL: POLYCARBONATE

		Robroy Enclosures 500 Maple Street Belding, Michigan 48809 Phone: 616-794-0700 Fax: 616-749-3378	
		DRAWN BY: AJC DATE: 10/26/16	CUSTOMER:
SCALE: DO NOT SCALE	DESCRIPTION: STANDARD ENCLOSURE	PART NUMBER:	ATAH12106